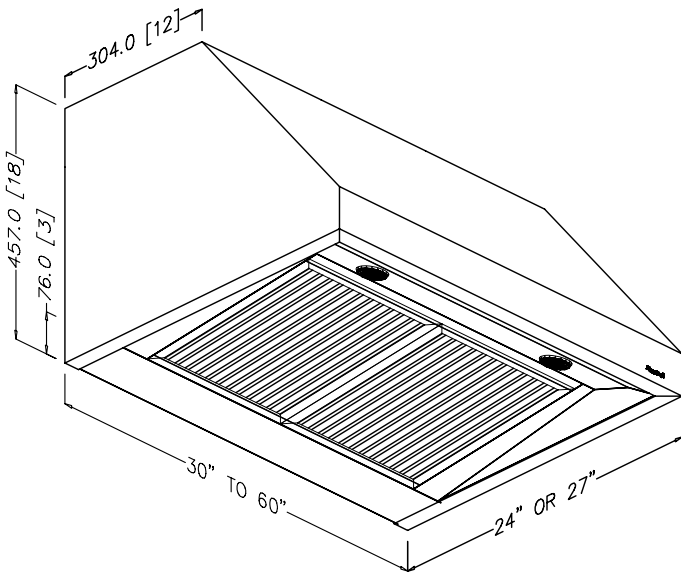
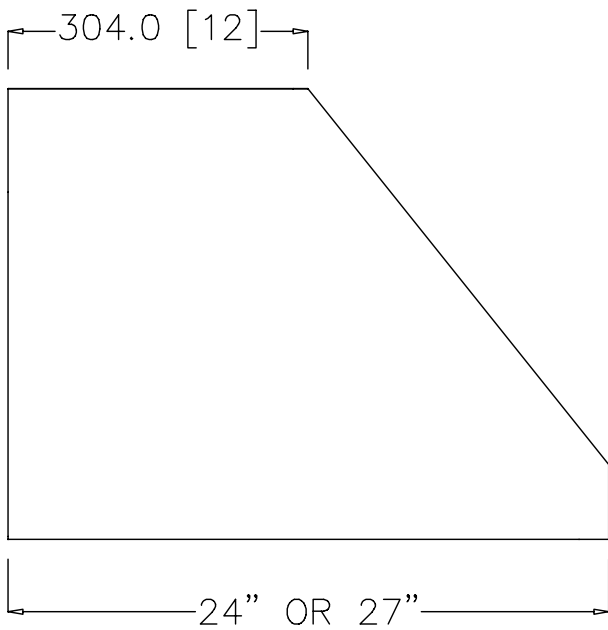
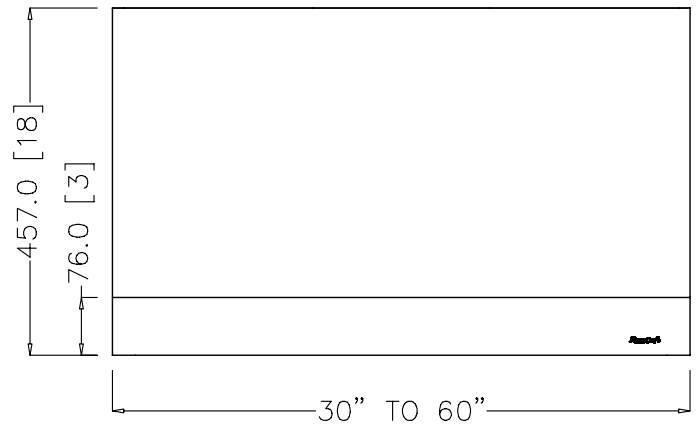


WM PRO-LINE

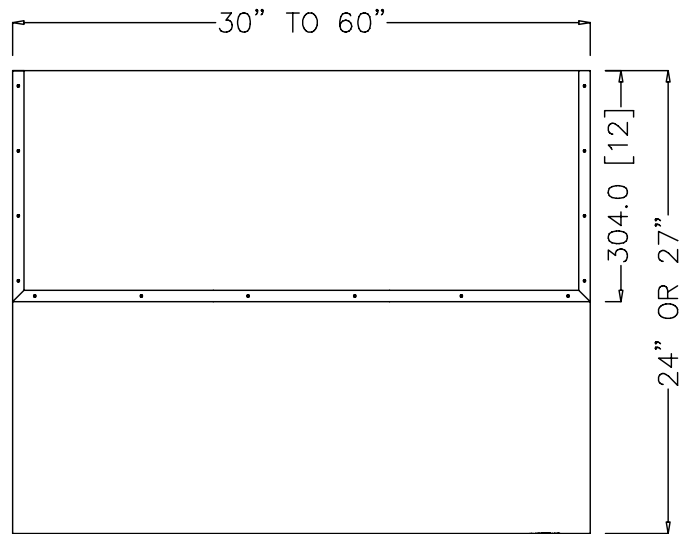
ISO VIEW



FRONT VIEW



SIDE VIEW



TOP VIEW