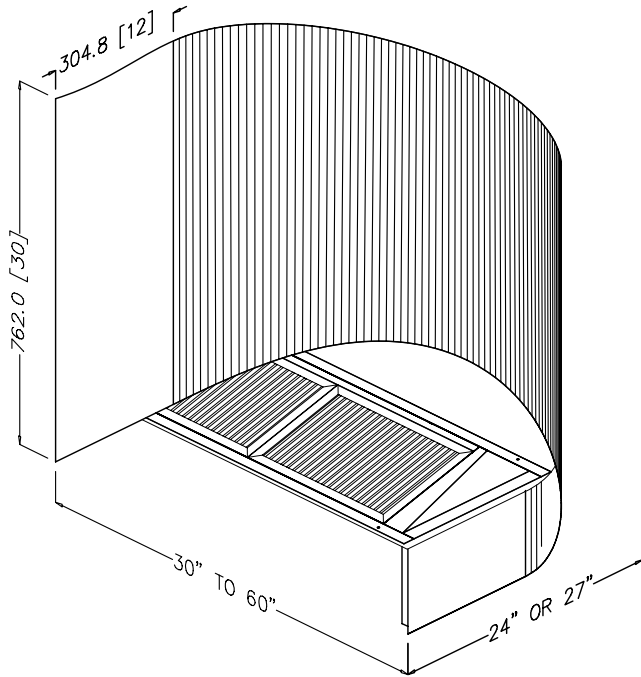
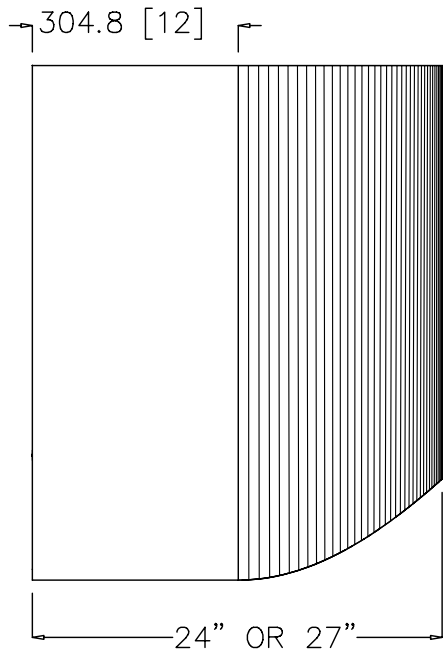
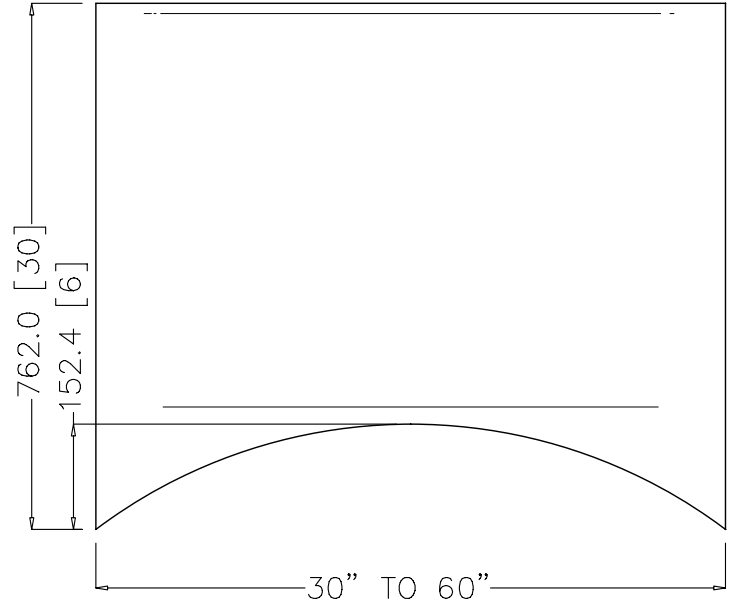


WM CONVEX

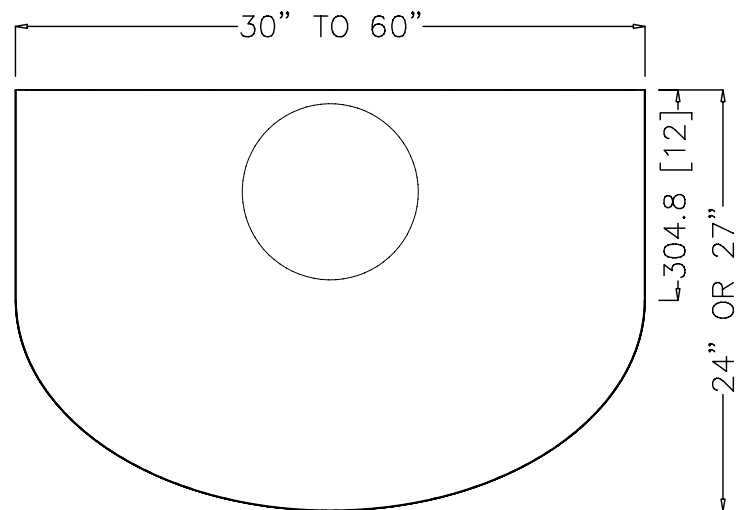
ISO VIEW



FRONT VIEW



SIDE VIEW



TOP VIEW