

Please confirm all measurements and finishing information.

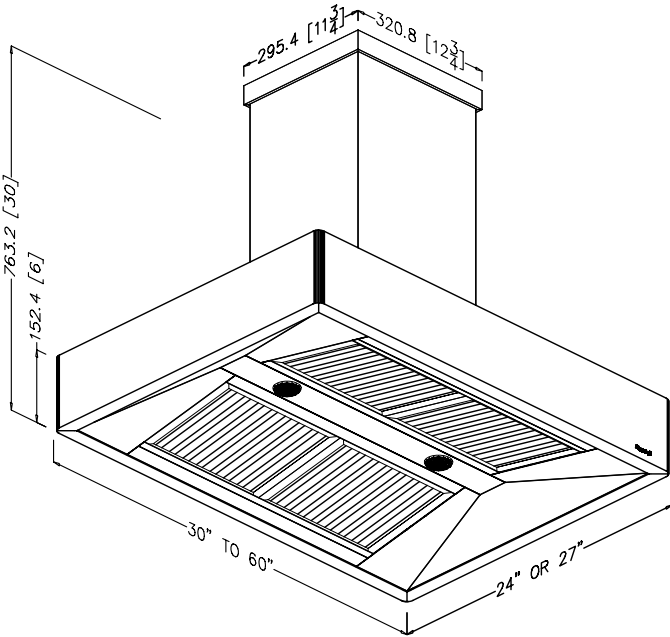
Comments:

Signature:

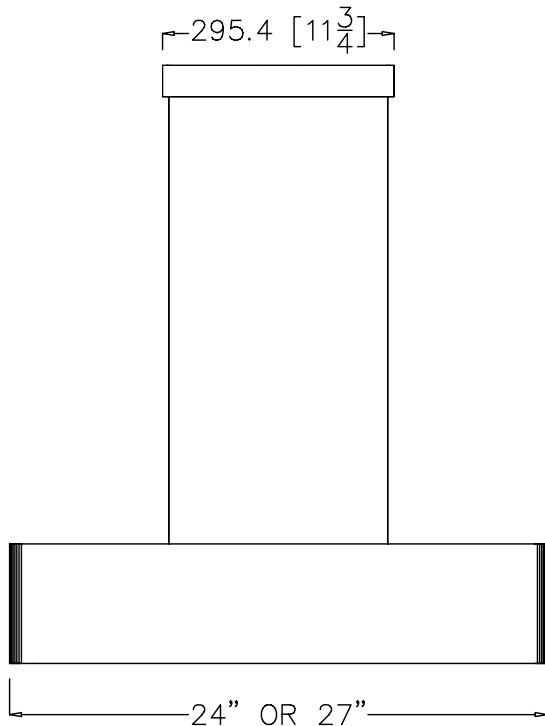
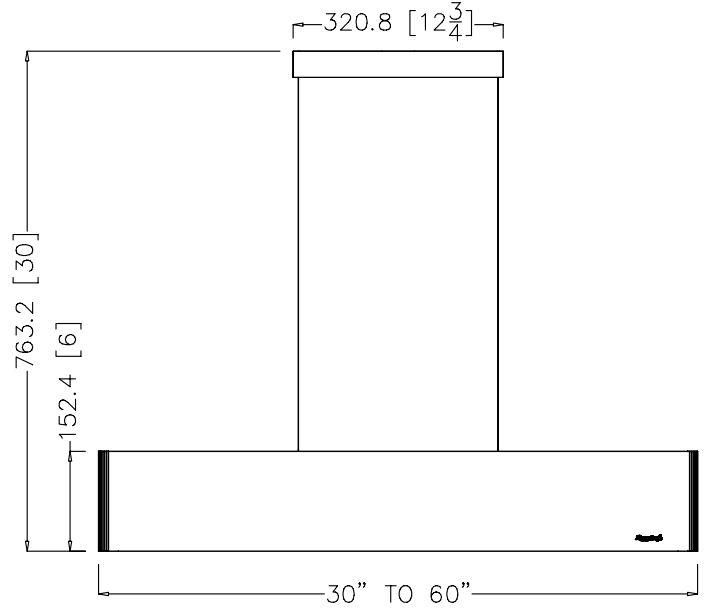
Date: / /

CM BOX HOOD

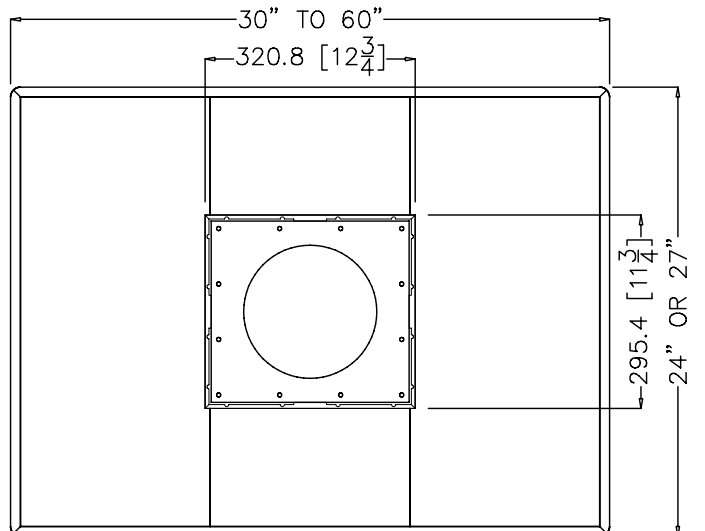
ISO VIEW



FRONT VIEW



SIDE VIEW



TOP VIEW